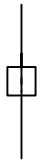


## Framework - System NFT-SL RAPID

### installation instruction

Isometry: plug with screw, thermostop, wallholder RAPID A - fixpoint H 160 /  
fixpoint H 80 / sliding point, rivet or selfdrilling screw, profile L



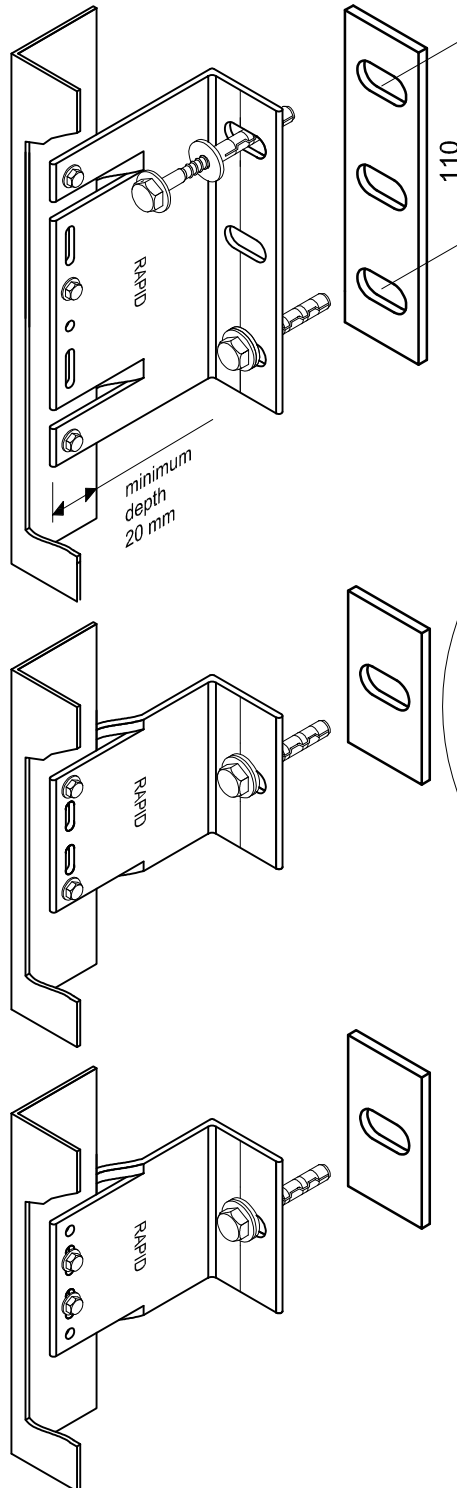
SYMBOL  
assembling fixpointholder H 160  
(connection in round hole)



SYMBOL  
assembling fixpointholder H 80  
(connection in round hole)



SYMBOL  
assembling sliding point holder  
(connection center long hole,  
use of rivet-sliding setting tool)



engineering change with reservation

observe anchor approval regulation